



DEFENDER® 3000

Washdown Bench Scales



Counting function is not legal-for-trade

Stainless Steel Bench Scales for Basic Industrial Washdown Applications

The Defender 3000 Washdown Bench Scales are ideal for general weighing, simple counting and checkweighing applications in damp environments, or when washdown cleaning is required. The Defender 3000 Series features a simple, yet rugged, stainless steel design and IP66 stainless steel indicator with tactile keys, multicolor backlit LCD display, AC or standard rechargeable battery operation and flexible mounting capabilities.

Unique Features:

- Results are clearly shown using the large, bright backlit LCD display. In Checkweighing mode display changes color (yellow/green/red) to alert when within the target weight range.
- This tough industrial scale features a 304-stainless steel platform, frame, column and IP67 load cell. Indicator features an IP66 protected 304-stainless steel housing and mounting bracket.
- Features software for Parts Counting, Checkweighing and Totalization. Includes RS232 with optional second port USB Device or Ethernet for printing or data connectivity.



www.hoskin.ca | Vancouver | Edmonton | Oakville | Montréal

DEFENDER® 3000 Washdown Bench Scales

Specifications

Column Mount Bench Scales

Model	i-D33XW15C1R6	i-D33XW30C1R6	i-D33XW75C1R6	i-D33XW75C1L7
Capacity x Default Readability	15 kg x 2 g 30 lb x 0.005 lb 480 oz x 0.1 oz	30 kg x 5 g 60 lb x 0.01 lb 960 oz x 0.2 oz	75 kg x 10 g 150 lb x 0.02 lb 2,400 oz x 0.5 oz	75 kg x 10 g 150 lb x 0.02 lb 2,400 oz x 0.5 oz
Capacity x Certified/Approved Readability	15 kg x 5 g 30 lb x 0.01 lb 480 oz x 0.2 oz	30 kg x 10 g 60 lb x 0.02 lb 960 oz x 0.5 oz	75 kg x 50 g 150 lb x 0.05 lb 2,400 oz x 1 oz	75 kg x 50 g 150 lb x 0.05 lb 2,400 oz x 1 oz
Maximum Displayed Resolution	1:7,500	1:6,000	1:7,500	1:7,500
Linearity/Repeatability	±1d			
Maximum Certified Resolution	1:3,000			
Indicator	304 stainless steel indicator			
Column	330 mm / 13 in stainless steel			680 mm / 26.8 in stainless steel
Base Construction	Stainless steel removable weighing platform with stainless steel frame, silicon sealed IP67 stainless steel loadcell			
Safe Overload Capacity	150% of maximum capacity			
Stabilization Time	Within 1 second			
Operating Temperature Range	14°F to 104°F / -10°C to 40°C			
Scale Dimensions (A x B x C x D x E x F)	355 x 305 x 121.8 x 75 x 541.6 x 481.9 mm 14 x 12 x 4.8 x 3 x 21.3 x 19 in			550 x 420 x 134 x 80 x 896.1 x 685.6 mm 21.7 x 16.5 x 5.3 x 3.1 x 35.3 x 27 in
Shipping Dimensions (L x W x H)	642 x 497 x 212 mm 25.3 x 19.6 x 8.3 in			857 x 564 x 225 mm 33.7 x 22.2 x 8.9 in
Approx. Net Weight	12.3 kg			19.2 kg
Approx. Shipping Weight	15.3 kg			23.3 kg

Model	i-D33XW150C1L7	i-D33XW150C1X7	i-D33XW300C1X7
Capacity x Default Readability	150 kg x 20 g 300 lb x 0.05 lb 4,800 oz x 1 oz	150 kg x 20 g 300 lb x 0.05 lb 4,800 oz x 1 oz	300 kg x 50 g 600 lb x 0.1 lb
Capacity x Certified/Approved Readability	150 kg x 50 g 300 lb x 0.1 lb	150 kg x 50 g 300 lb x 0.1 lb	300 kg x 100 g 600 lb x 0.2 lb
Maximum Displayed Resolution	1:7,500		1:6,000
Linearity/Repeatability	±1d		
Maximum Certified Resolution	1:3,000		
Indicator	304 stainless steel indicator		
Column	680 mm / 26.8 in stainless steel		
Base Construction	Stainless steel removable weighing platform with stainless steel frame, silicon sealed IP67 stainless steel loadcell		
Safe Overload Capacity	150% of maximum capacity		
Stabilization Time	Within 1 second		
Operating Temperature Range	14°F to 104°F / -10°C to 40°C		
Scale Dimensions (A x B x C x D x E x F)	550 x 420 x 134 x 80 x 896.1 x 685.6 mm 21.7 x 16.5 x 5.3 x 3.1 x 35.3 x 27 in	650 x 500 x 150 x 90 x 894.6 x 784.6 mm 25.6 x 19.7 x 5.9 x 3.5 x 35.2 x 30.9 in	
Shipping Dimensions (L x W x H)	857 x 564 x 225 mm 33.7 x 22.2 x 8.9 in	1,022 x 687 x 247 mm 40.2 x 27 x 9.7 in	
Approx. Net Weight	19.2 kg	31.8 kg	
Approx. Shipping Weight	23.3 kg	35.3 kg	

DEFENDER® 3000 Washdown Bench Scales

Specifications

Front Mount Bench Scales

Model	i-D33XW15C1R5	i-D33XW30C1R5	i-D33XW75C1R5	i-D33XW75C1L5
Capacity x Default Readability	15 kg x 2 g 30 lb x 0.005 lb 480 oz x 0.1 oz	30 kg x 5 g 60 lb x 0.01 lb 960 x 0.2 oz	75 kg x 10 g 150 lb x 0.02 lb 2,400 oz x 0.5 oz	
Maximum Displayed Resolution	1:7,500	1:6,000	1:7,500	
Linearity/Repeatability	±1d			
Capacity x Certified/Approved Readability	15 kg x 5 g 30 lb x 0.01 lb 480 oz x 0.2 oz	30 kg x 10 g 60 lb x 0.02 lb 960 oz x 0.5 oz	75 kg x 50 g 150 lb x 0.05 lb 2,400 oz x 1 oz	
Maximum Certified Resolution	1:3,000			
Indicator	304 stainless steel indicator			
Mount	304 stainless steel front-mount bracket with handle			
Base Construction	Stainless steel removable weighing platform with stainless steel frame, silicon sealed IP67 stainless steel loadcell			
Safe Overload Capacity	150% of maximum capacity			
Stabilization Time	Within 1 second			
Operating Temperature Range	14°F to 104°F / -10°C to 40°C			
Scale Dimensions (A x B x C x D x E x F)	355 x 305 x 121.8 x 75 x 130 x 645.5 mm 14 x 12 x 4.8 x 3 x 5.1 x 25.4 in			550 x 420 x 134 x 80 x 132.9 x 842 mm 21.7 x 16.5 x 5.3 x 3.1 x 5.2 x 33.1 in
Shipping Dimensions (L x W x H)	857 x 564 x 225 mm 33.7 x 22.2 x 8.9 in			1,022 x 687 x 247 mm 40.2 x 27 x 9.7 in
Approx. Net Weight	11.9 kg			18.1 kg
Approx. Shipping Weight	14.3 kg			22.2 kg

Model	i-D33XW150C1L5	i-D33XW150C1X5	i-D33XW300C1X5
Capacity x Default Readability	150 kg x 20 g 300 lb x 0.05 lb 4,800 oz x 1 oz		300 kg x 50 g 600 lb x 0.1 lb
Maximum Displayed Resolution	1:7,500		1:6,000
Linearity/Repeatability	±1d		
Capacity x Certified/Approved Readability	150 kg x 50 g 300 lb x 0.1 lb		300 kg x 100 g 600 lb x 0.2 lb
Maximum Certified Resolution	1:3,000		
Indicator	304 stainless steel indicator		
Mount	304 stainless steel front-mount bracket with handle		
Base Construction	Stainless steel removable weighing platform with stainless steel frame, silicon sealed IP67 stainless steel loadcell		
Safe Overload Capacity	150% of maximum capacity		
Stabilization Time	Within 1 second		
Operating Temperature Range	14°F to 104°F / -10°C to 40°C		
Scale Dimensions (A x B x C x D x E x F)	550 x 420 x 134 x 80 x 132.9 x 842 mm 21.7 x 16.5 x 5.3 x 3.1 x 5.2 x 33.1 in	650 x 500 x 150 x 90 x 133 x 941 mm 25.6 x 19.7 x 5.9 x 3.5 x 5.2 x 37 in	
Shipping Dimensions (L x W x H)	1,022 x 687 x 247 mm 40.2 x 27 x 9.7 in	1,022 x 687 x 247 mm 40.2 x 27 x 9.7 in	
Approx. Net Weight	18.1 kg	30.8 kg	
Approx. Shipping Weight	22.2 kg	34.3 kg	

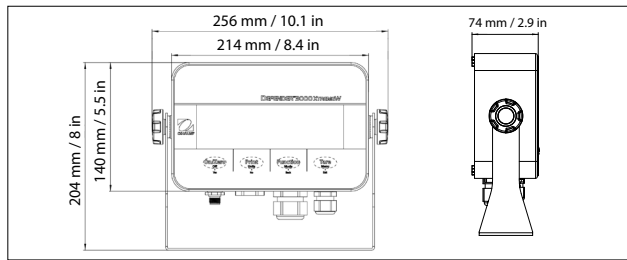
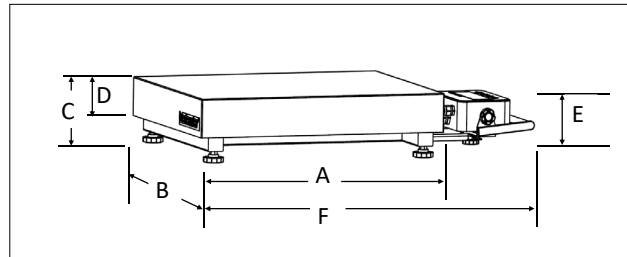
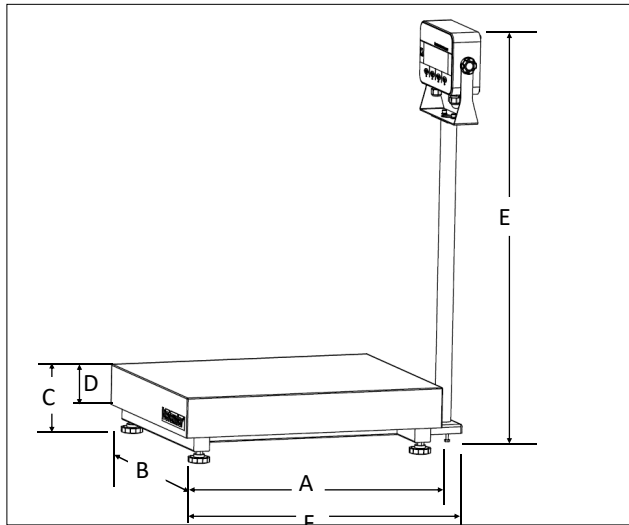
DEFENDER® 3000 Washdown Bench Scale

Specifications

Indicator

Model	i-DT33XW
Construction	304 stainless steel housing and mounting bracket
Protection	IP66
Weighing Units	Kilogram, Gram, Pound, Ounce, Pound: Ounce
Application Modes	Weighing, Parts Counting, Checkweighing and Totalization
Display	6-digit, 7-segment LCD display with multi-color backlight, 45 mm / 1.8 in high digits
Check Indicator	3 color (red, green, yellow) backlight
Keyboard	4 membrane function keys
Auto-zero Tracking	Off, 0.5 d, 1 d or 3 d
Zeroing Range	2% or 100% of capacity
Interface	RS232 included Optional second port USB Device or Ethernet
Power	100-240 VAC / 50/60 Hz Universal Power Supply, hardwired or standard internal rechargeable battery
Battery Life	Up to 100 hours continuous use with backlight off
Calibration	Zero, Span or 3 point-Linear

Outline Dimensions



Compliance

- **Metrology:** NTEP (Indicator: CC 21-070, Platforms: CC 21-075); Measurement Canada (Indicator: NoA AM-6183, Platforms: NoA AM-6180) Class III
- **Product Safety:** UL61010-1; CAN/CSA C22.2 61010-1; IEC/EN 61010-1
- **Electromagnetic Compatibility:** FCC Part 15 Class A; Canada ICES-003 Class A; IEC/EN 61326-1 Class B, basic environments
- **Ingress Protection:** IEC 60529 – IP66 (for indicator), IEC 60529 – IP67 (for load cell)
- **Compliance Marks:** CSA, CE
- **Other:** WEEE, RoHS

Accessories

Ethernet Kit.....	30429666
USB Device Kit i-DT33	30699120
Dust Cover (5) i-DT33.....	30699121
Wheel Kit, Defender Series (Max. load: 300 kg / 600 lb)	30372146
Wheel Kit Stainless Steel Defender Series (Max load: 600 kg / 1,200 lb)	30616409
Carrying Handle Kit Stainless Steel i-DT33.....	30696600
SF40A Printer	30064202
Cable RS232 i-DT33XW.....	80500552

