

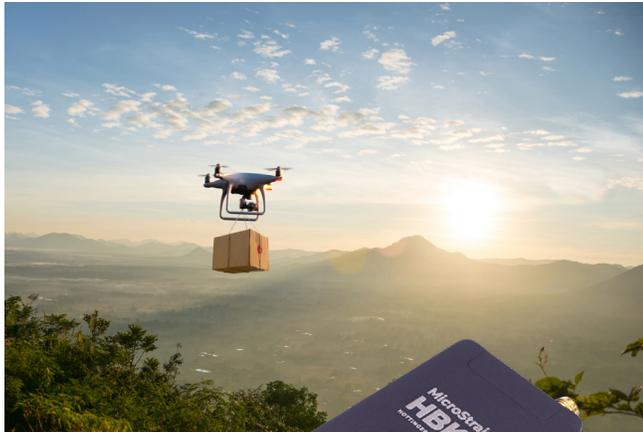
PRODUCT DATA SHEET

MicroStrain 3DM-RTK: Cellular RTK Correction Modem

The 3DM-RTK features easy to use real time Kinematic (RTK) correction data to be utilized by the 3DM-GQ7-GNSS/INS.

It provides the simplicity of a cellular connection to our SensorCloud RTK base station network, replacing traditional radio-based stations. With RTK corrections, the 3DM-GQ7 can achieve centimeter-level positional accuracy.

Combine the 3DM-RTK with our SensorCloud RTK network service and 3DM-GQ7-GNSS/INS for a complete navigation system.



FEATURES AND BENEFITS

- Supports industry-standard NMEA and RTCM 3.1 protocols
- Network RTK support bundled with cellular data plan at one low price
- Seamless integration with 3DMGQ7
- Easy set up – begin receiving RTK corrections immediately after device activation
- Robust RS232 and USB interfaces
- Compact and rugged construction

APPLICATIONS

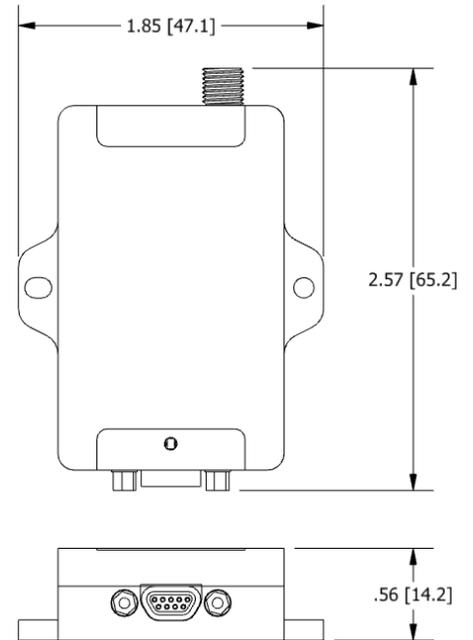
- Autonomous vehicle (AV) operation
- Wheeled and legged robotics
- Simultaneous localization and mapping (SLAM)
- Beyond visual line of sight (BVLOS) navigation

MICROSTRAIN 3DM-RTK SPECIFICATIONS

(The following specification results are typical when paired with the 3DMGQ7)

Data Output Rate	1 Hz
Interface	Micro-D9, RS 232
Protocols	MIP, RTCM 3.1, NMEA
Cellular Network	Cellular Coverage: Global*
Voltage	5 to 16 VDC
Power	1.0W (typical), 2.0W (max)
Size	47 mm x 65 mm x 14.25 mm
Weight	46g
Certifications	FCC, IC, CE, PTCRB

*Some regional restrictions apply. Coverage only where LTE CAT-M/2G deployment is available. Please see our RTK webpage for details.



MicroStrain by HBK
459 Hurricane Lane
Williston, VT 05495 - USA