

Description

AMETEK Rayelco™ Miniature Position Transducer has been designed to provide maximum user flexibility. This unit can be mounted in confined areas and by simply loosening a single bolt, direct the cable in any direction by turning the transducer body 360 degrees and the mounting swivel 180 degrees. Slotted cable entry allows the cable to be out of alignment by as much as ±10 degrees in one axis.

Features

- ✦ Standard Accuracy ±0.1% FS*
- ✦ Ranges to 20 inches
- ✦ "A" Circuit Output Equals Input
- ✦ Extra Long-Life Replaceable Cable
- ✦ Precision Hybrid or Wirewound Potentiometer
- ✦ All Anodized Aluminum and Stainless Steel Construction

*±0.25% FS, 0-2", 0-5" and 0-10"
High Accuracy ±0.15% FS Option Available

Applications

- Automotive Testing
- Robotics Control
- Aircraft Stress Testing
- Injection Mold Equipment Control
- Aircraft Door Sensing



Basic Specifications

Performance

Ranges: 0-2" through 0-20"
Linearity (BFSL): ±0.1% FS
 ±0.25% FS, 0-2", 0-5" and 0-10"
Resolution: Infinite (Hybrid Potentiometer)
Individual Calibration Sheet Provided

Input Impedance: "A" Circuit 500 ohms
Output Impedance: "A" Circuit 0-500 ohms

Physical

Construction: Anodized Aluminum and Stainless Steel
Electrical Cable Type: 8', 3 conductor shielded, teflon jacketed
Replaceable long-life cable

Electrical

Excitation: AC or DC up to 25 volts

Environmental

Temperature: 0-200°F
Humidity: 95% RH @ 75°F
Shock: 50g for 10 ms
Vibration: 20g 20Hz-2 kHz

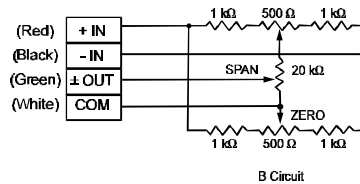
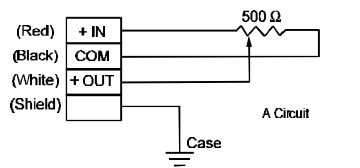
Specification Table

| Model | mV/V/inch "A" cir | Tension oz |
|-------|-------------------|------------|
| MP-2 | 500 | 24 |
| MP-5 | 200 | 24 |
| MP-10 | 100 | 24 |
| MP-15 | 66 | 24 |
| MP-20 | 50 | 24 |

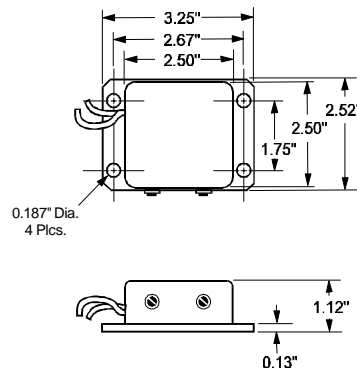
Ordering Information



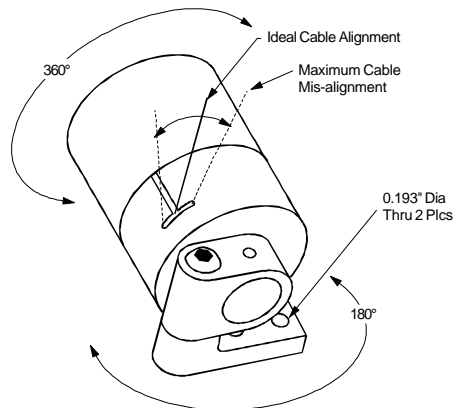
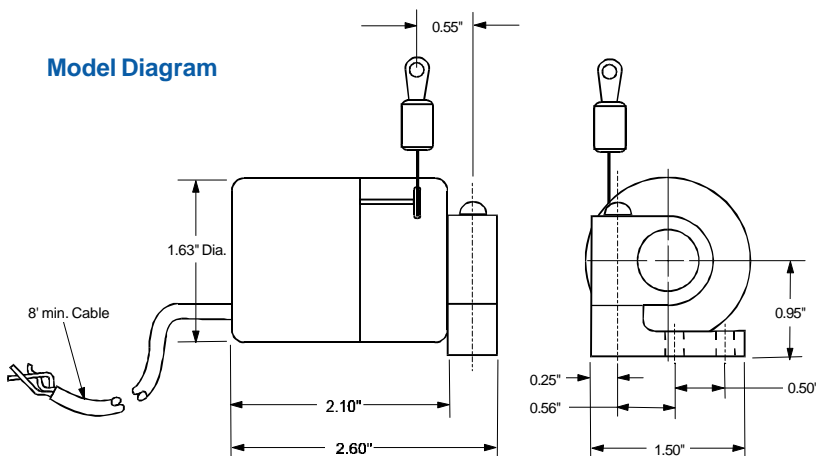
Circuit Diagram



4-20 mA & "B" Circuit External Conditioner Enclosure



Model Diagram



Specifications subject to change without notice